

Executions			
Version	Symbol	Code	Item
1/8"		030951	1VS
1/4"		030952	2VS
3/8"		030953	3VS
1/2"		030954	4VS
3/4"		030955	5VS
1"		030956	6VS

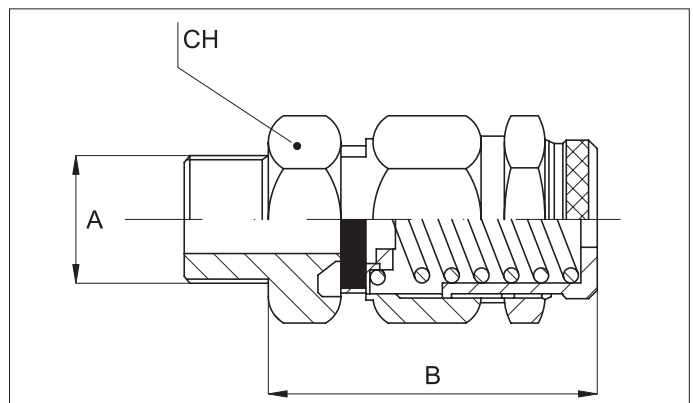


Series of adjustable safety valves, range from 3 to 7 bar.
For mounting on reservoirs or in those applications where the existing pressure must not exceed the fixed value.

Options	Suffix
Fixed calibration with certificate according D.E. 97/23/CE and on request ISPEL *	CC..
Special versions on request **	/ S

* The overall dimensions of the certified valve are different from the standard ones; they must be asked for. The certified valve is available with fixed calibration only (after the option suffix specify the required calibration in bar).

** Available on quantity only.



A	B	CH
1/8"	34	15
1/4"	34	15
3/8"	53	20
1/2"	53	22
3/4"	70	30
1"	70	30

Technical data				
Fluid	Compressed filtered air with or without lubrication. Lubrication, if be used, must be continuous.			
Pressure range	3 ÷ 7 bar			
Temperature range	-10 °C ÷ + 90°C			
Orifice	1/8" - 1/4"= 6 mm	3/8"= 10 mm	1/2"= 11 mm	3/4" - 1"= 18 mm
Flow	1/8" - 1/4"= 1.600 l/min	3/8"= 3.400 l/min	1/2"= 3.700 l/min	1"= 7.900 l/min
Materials	Body, seat, adjustment screw, lock nut:		Brass	
	Spring:		Steel C 98	
	Seal:		Nitrile rubber (NBR)	